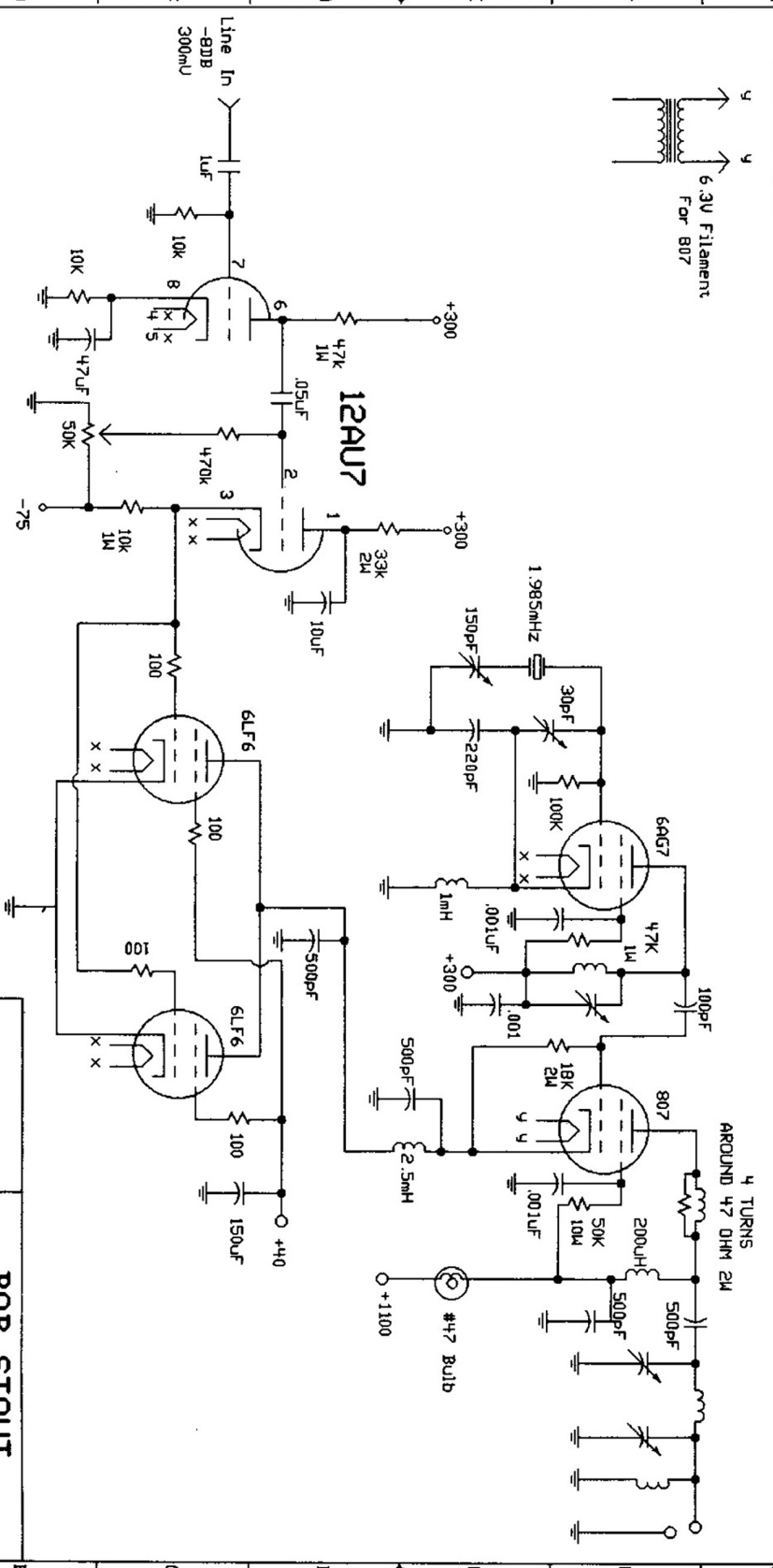
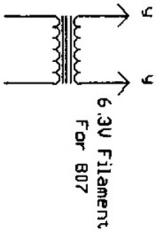


Zone	Tr	description	date	approved
			6-11-01	

revisions	1	2	3	4	5	6	7	8
-----------	---	---	---	---	---	---	---	---



BOB STOUT

WB9ECK

SERIES MOD. XMTR

Prepared	BU
Checked	
Engineer	RCS

size/code id/drawing no.
no.
stout\xmtr.sch
Sheet